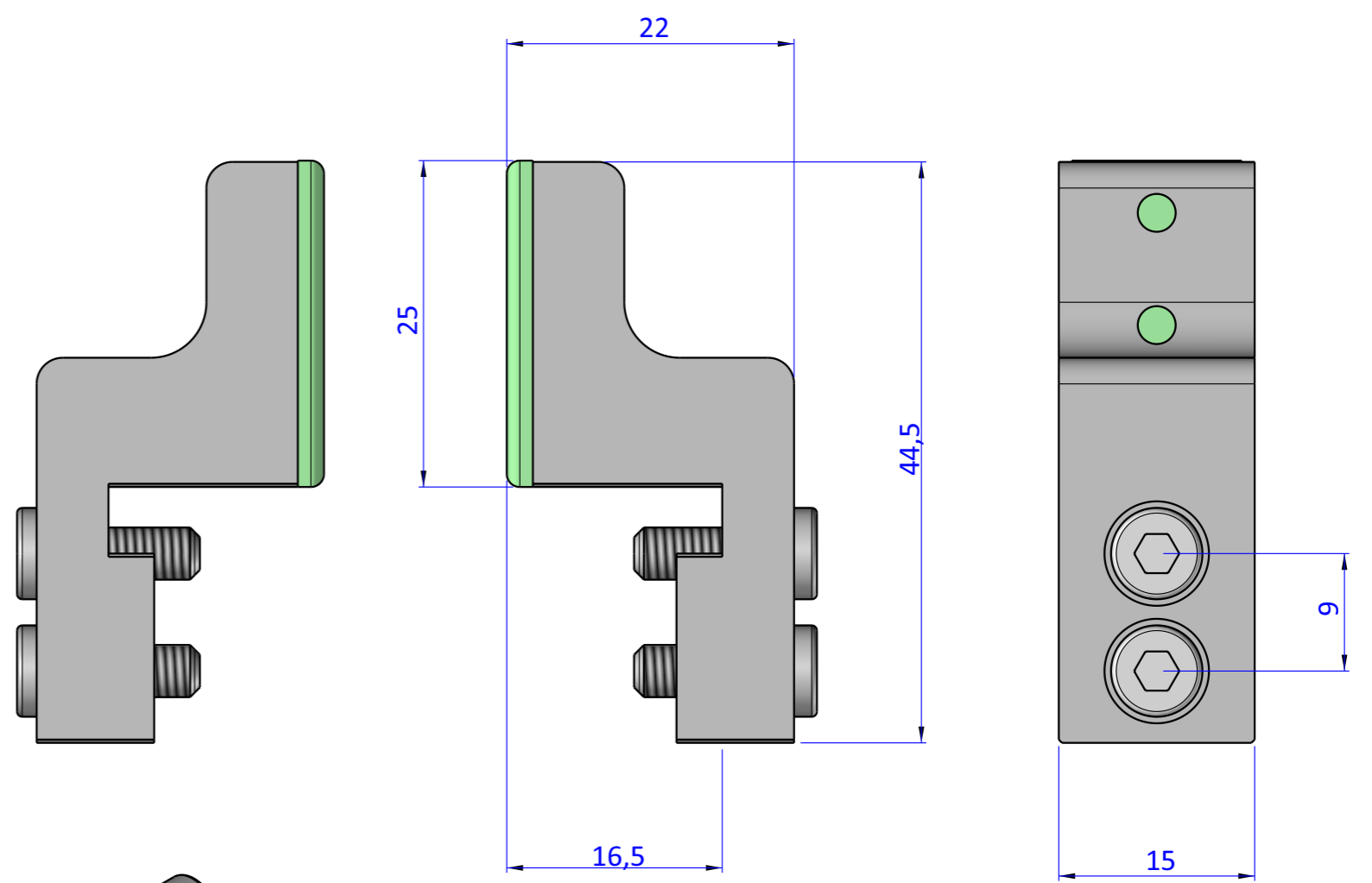
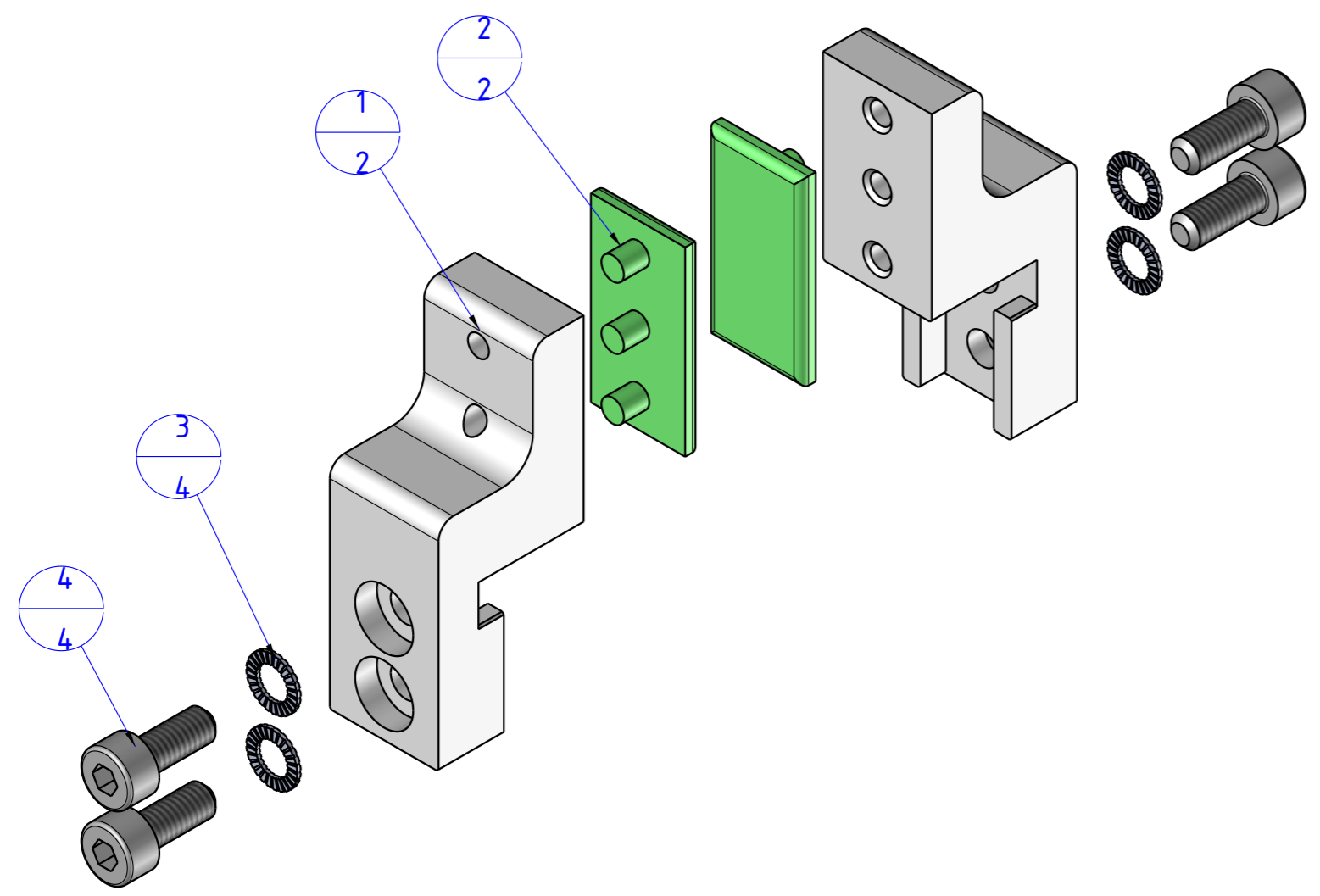

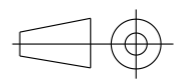


THE PROPERTY OF THE DRAWING IS ESTABLISHED BY LAW. IT IS FORBIDDEN TO PRODUCE OR SHOW IT TO THIRD PART. WITHOUT A WRITTEN AGREEMENT.

Item	Name	Q.ty
1	KB.20	2
2	PAC.20.16P.03.V	2
3	R.4.SCH	4
4	V.TCE4x10	4



Format A3  
UNI 936-76

 <b>FPS</b> FPSERVICES AUTOMATION			DESIGNED FROM <b>FPS Automation</b>	REVIEW <b>A</b>
GENERAL TOLERANCE UNI - ISO 2768 CLASSE f	DESCRIPTION <p style="text-align: center; font-weight: bold;">CA.KB.20</p>		DATE 14/10/2020	WEIGHT 0,041kg
			CODE <p style="text-align: center; font-weight: bold;">CA.KB.20</p>	